

# HINATA TL63812

TABLE LAMPS

PROJECT



TL63812-NV  
Navy Blue

TL63812-BK  
Black

TL63812-MN  
Moonstone Gray

TL63812-GN  
Sage Green

TL63812-SY  
Sky Blue

## SPECIFICATION DETAILS

<b>Fixture Dimensions</b>	D5-3/8" x H11-7/8"
<b>Light Source</b>	LED
<b>Wattage</b>	2W
<b>Total Lumens</b>	150lm
<b>Delivered Lumens</b>	BK-110lm*; GN-110lm*; MN-110lm*; NV-110lm*; SY-120lm*;
<b>Voltage</b>	LI-Battery
<b>Color Temperature</b>	2700K
<b>CRI (Ra)</b>	90CRI
<b>Optional Color Temps</b>	2700K - 5000K Available, Minimum Order Quantities Apply
<b>LED Rated Life</b>	50,000 hours
<b>Dimming</b>	Touch dimmer
<b>Diffuser Details</b>	Frosted Acrylic Lens
<b>Shade Details</b>	Polymeric Shade
<b>Location</b>	Dry
<b>Illumination Direction</b>	Down
<b>Base Dimensions</b>	D4-1/4" x H1-1/8"
<b>Material</b>	Steel + Acrylic
<b>Paint Finish</b>	BK01; GN; MN; NV; SY;

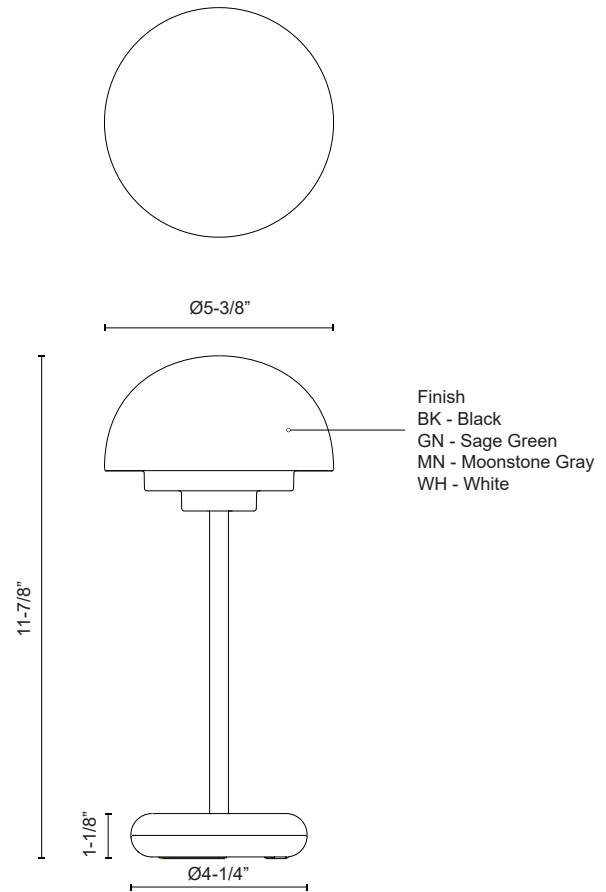
\* For custom options, consult factory for details.

\* For warranty information, please visit [www.kuzcolighting.com/warranty](http://www.kuzcolighting.com/warranty)

## DESCRIPTION

Step into the light with Hinata: a timeless classic with a modern twist. With its sleek mid-century silhouette and a pop of fun colors to choose from, it effortlessly adds personality to any space. Experience convenience and style with Hinata's rechargeable design.

- Rechargeable table lamp (charger included)
- Integrated LED, no need for bulbs
- Hold-to-dim feature
- 5 Hours of illumination on 100% brightness
- Finish options: Sage Green, Cream, Sky Blue, Navy Blue, and Black



# KUZCO

CANADA: 19054 28TH AVENUE - SURREY, BC V3Z 6M3

USA: 3035 E. LONE MOUNTAIN ROAD - LAS VEGAS, NV 89081

[WWW.KUZCOLIGHTING.COM](http://WWW.KUZCOLIGHTING.COM)

© 2024 KUZCO LIGHTING. ALL RIGHTS RESERVED.

## COMMENT